

# Intellian FB250

## Compact Marine FleetBroadband Antenna Systems



### Small global maritime terminal

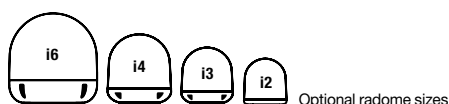
Weighing just 7.27 lbs and 12 inch high, the Intellian FB250 is a compact FleetBroadband maritime terminal.

### Matching dome solutions

FB250 ships with an Intellian i1 dome as a standard, but various dome sizes are also available to match an Intellian i2, i3, i4 or i6 domes. Now you can select a perfectly matched dome for the best and balanced appearance on your vessel.

### Reliable hardware

Operating on the Inmarsat FleetBroadband Satellite Systems and reliable mechanic construction approved to Intellian standards, you can be confident of both the quality of the equipment and the support behind it.



Optional radome sizes

### Primary Handset

The primary handset provides an intuitive user interface on a large 2" LCD and mobile phone type keys for making phone calls, texting SMS messages and accessing various configurations supported by the BDU.

### Built-in Wi-Fi

With the standard built-in Wi-Fi feature, the web-based user interface can be accessed via any web browser including Wi-Fi enabled Smartphones via the FB 250's secure Wi-Fi (WLAN). The Wi-Fi connection also offers wireless Push-to-Talk (PTT) service to Smartphone users using free PTT apps downloadable from Smartphone (e.g. Zello) without having to add any additional hardware to the terminal.

### Simultaneous voice and data access

With 284kbps data rates, FB250 provides simultaneous access to data services, voice and text messaging.

# Intellian

Connect with the best

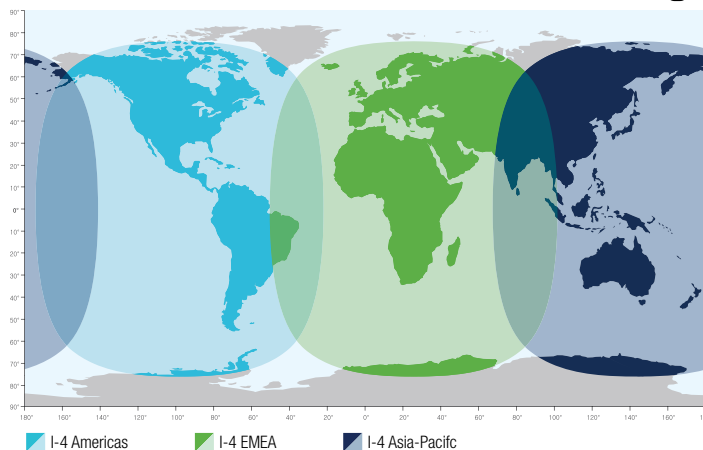
# Intellian FB250

## Compact Marine FleetBroadband Antenna Systems

### Technical Specifications

Physical	
ADU Dimensions	29.9cm x 27.7cm / 11.8" x 10.9"
ADU Weight	3.0kg / 6.6lbs
BDU Dimensions	36cm x 25cm x 6.7cm / 14.1" x 9.8" x 2.6"
BDU Weight	3.9kg / 8.5lbs
Environmental Conditions	
Operating Temp. Range	-25°C to +55°C / -13°F to +131°F
Operating Humidity	[ADU] EN60945, [BDU] 95% non-condensing at +40°C
Water Ingress	[ADU] IP56, [BDU] IP31
Approvals	Inmarsat FleetBroadband/ R&TTE/ CE/ FCC
Warranty	3 years parts and 2 year labor
Global Services	
Voice	Digital 4kbps Voice, 3.1kHz Audio
Standard IP	Up to 284kbps
Streaming IP	8, 16, 32, 64, 128kbps
SMS	Up to 160 characters (3G standard)
Fax	Group 3 (via 3.1kHz Audio)
Airtime Service	Inmarsat airtime
Frequency Band	
Tx	1626.5MHz~1675.0MHz
Rx	1518.0MHz~1559.0MHz
Ch. Width	[Rx] 10.5~189kHz, [Tx] 21~189kHz
Power Supply and Consumption	
DC Input Range	10.0~32.0V DC (isolated)
Power (max)	150W @ 10.0~32.0V (including antenna)

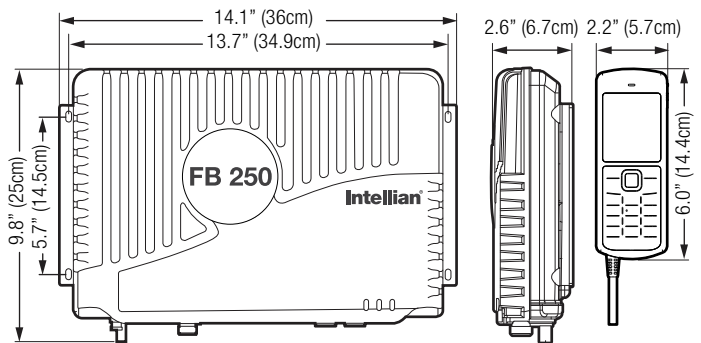
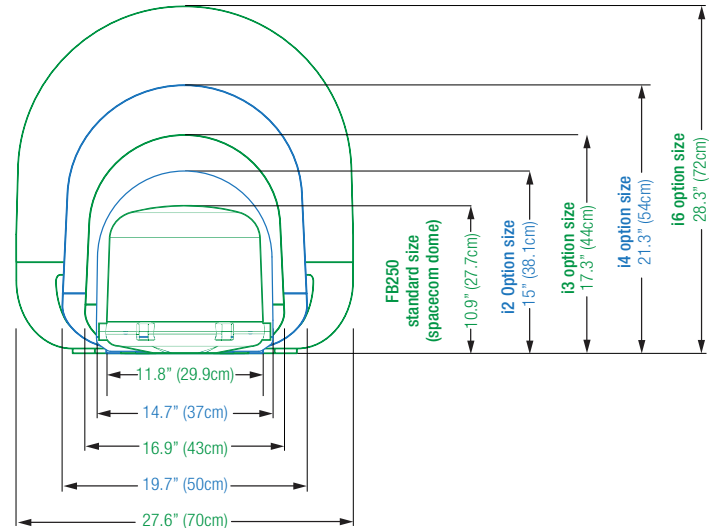
### Inmarsat FleetBroadband Global Coverage



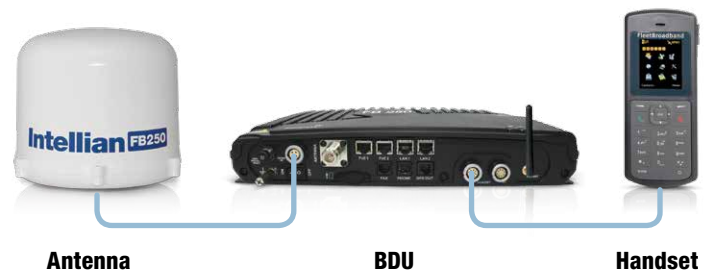
This map depicts Inmarsat's expectations of coverage, but does not represent a guarantee of service. The availability of service at the edge of coverage areas fluctuates depending on various conditions.

### Systems Dimension

ADU (Above Deck Unit) Matching Dome Options



### Systems Diagram



**Global HQ**  
 Innovation Center / Factory  
 Intellian Technologies, Inc  
 T +82 31 379 1000  
 F +82 31 377 6185

**APAC**  
 Seoul Office  
 Intellian Technologies, Inc.  
 T +82 2 511 2244  
 F +82 2 511 2235

**Americas**  
 Irvine Office  
 Intellian Technologies USA, Inc.  
 T +1 949 727 4498  
 F +1 949 271 4183  
 Toll Free +1 888-201-9223

**EMEA**  
 Rotterdam Office  
 Intellian B.V.  
 T +31 1 0820 8655  
 F +31 1 0820 8656